



### LSW1A



*Actual product appearance may vary.*

**Series HDLS Plug-in: Side Plunger - Adjustable ; 1NC 1NO SPDT Snap Action; 0.5 in - 14NPT conduit**

#### Features

- Wide variety of operating heads
- Field adjustable operating modes, for reduced inventory
- Convenience of on-the-spot adjustment instructions
- Complete choice of circuitry and electrical rating options
- Plug-in and non plug-in versions have identical operating characteristics and are dimensionally interchangeable
- Manifold (rear-wire) version
- Explosion-proof versions
- Low temperature versions to -40°C (-40°F)
- Captive head and body screws
- Designed to withstand seismic shock
- Stainless steel (NEMA 4X) versions
- Pre-leaded cable or pre-wired connector types
- Epoxy filled wash down (NEMA 6P) types
- Completely fluorocarbon (FC) sealed versions

#### Description

#### Potential Applications

- Machine Tools
- Material Handling
- Packaging
- Presses
- Pulp and Paper
- Welding
- PLC Interface

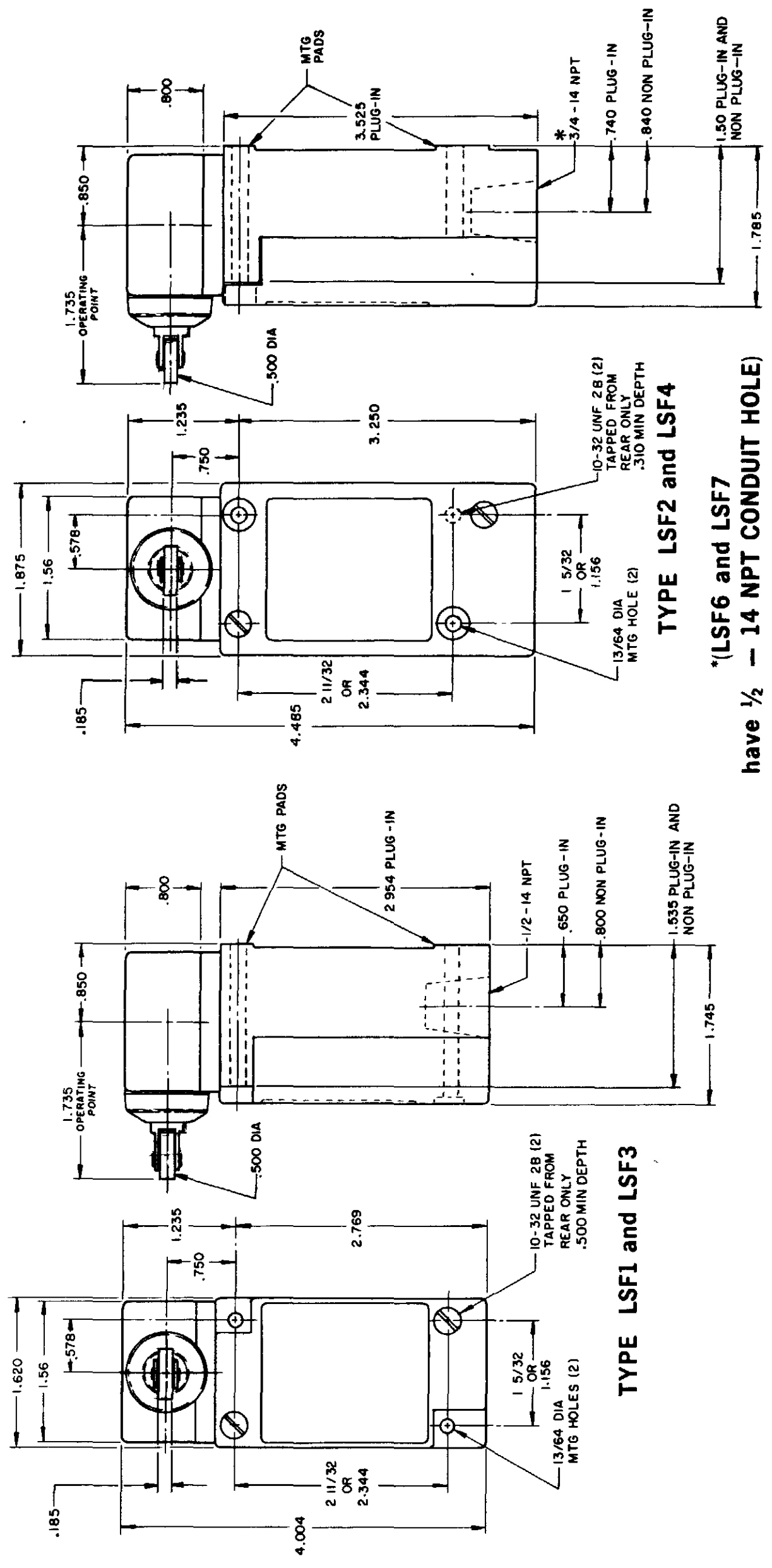
Sensing and Control offers the world's most advanced line of MICRO SWITCH™ heavy-duty limit switches. These switches include boss-and-socket head design for secure head-to-body retention, unique all-metal drive train for consistent operating characteristics even at high temperature (lasts longer without the need for frequent adjustment than drive trains with plastic parts,) self-lifting pressure plate terminals save wiring time, easily identified grounding terminal (inside) for compliance with OSHA and other regulatory agency standards, one piece flat gasket (seals better than gaskets that go around curves and corners, does not contact terminal pins to reduce chances of fluid migration,) front mounting and interchangeability of single- and double-pole switches, plug-in and non plug-in with one another and with other switch brands, tracking interchangeability of actuator levers for single- and double-pole switches, plug-in and non plug-in, twin shaft seals for an extra measure of protection, inner FC O-ring seal, outer Buna-N seal (all FC available,) FC shaft and diaphragm seals on side rotary switches, rugged corrosion-resistant zinc head and body are phosphate treated and epoxy finished, exclusive teller tab assures proper torque (when it cannot be moved the lever is tight enough to prevent slippage) and domestic and international conduit taps.

Product Specifications	
Availability	Global
Operating Force (O.F.)	26,69 N max. [6 lb max.]
Pretravel (P.T.)	2,54 mm max. [0.10 in max.]
Overtravel (O.T.)	0.190 in min.
Differential Travel (D.T.)	0,64 mm max. [0.025 in max.]
Product Type	MICRO SWITCH™ Heavy-Duty Limit Switches
Actuator	Side Plunger - Adjustable
Circuitry	1NC 1NO Single-Pole Double-Throw, Snap-Action, Double-Break
Ampere Rating	10 A (Thermal)
Supply Voltage	600 Vac and 250 Vdc max.
Housing Material	Zinc Die-Cast
Termination Type	0.5 in - 14NPT conduit
Housing Type	HDLS Plug-in
Series Name	HDLS
Sealing	NEMA 1, 3, 4, 4X, 6, 6P, 12, 13
Approvals	UL listed, CSA Certified, CE Certified, CCC Certified
CSA File #	LR57326/Master Contract 152457
UL File #	E37138
Operating Temperature Range	-12 °C to 93 °C [10 °F to 200 °F]
Comment	Adjustable operating point from 1.615 in to 1.865 in
Agency Approvals and Standards	EN60947-1, EN60947-5-1
UNSPSC Code	302119
UNSPSC Commodity	302119 Switches and controls and relays
Sealed	Industrial

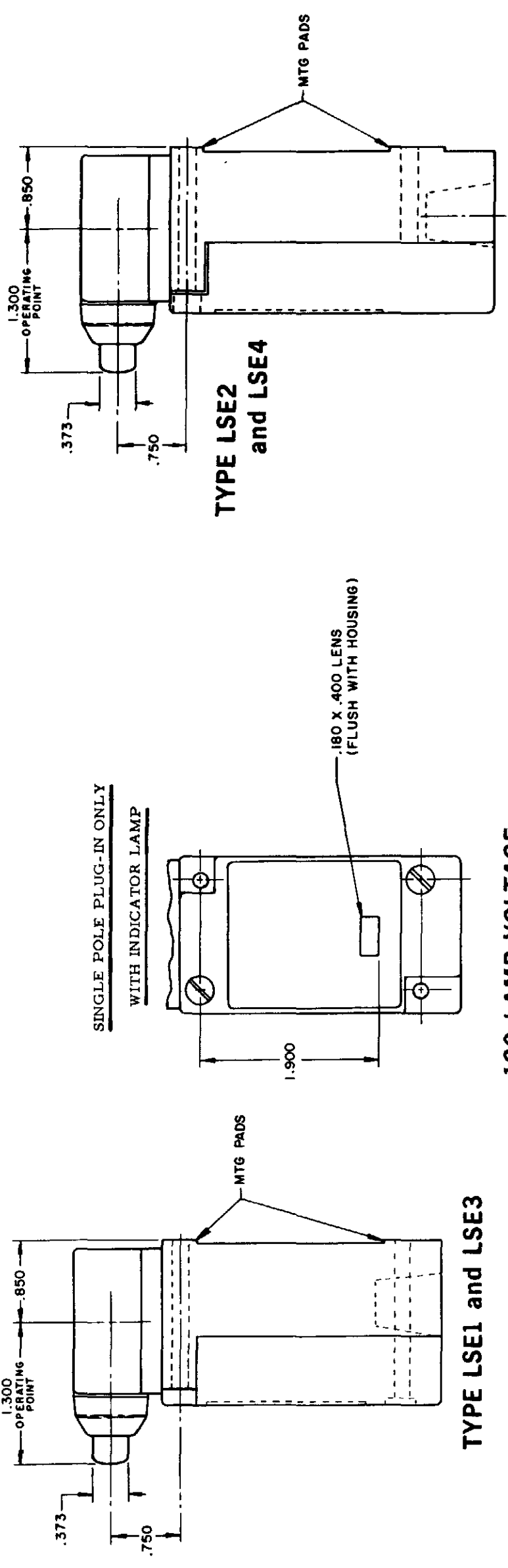
RASTER  
DRAWN  
MAM 15 JUN 94  
CHECK JAF 11 JUL 94  
CHECK AK 11AUG04  
CHECK PSR 10JUL07  
RELEASE NO CO-78498  
REPLACES LSA-LSW SERIES

REV	DATE	BY	CHKD	DESCRIPTION
L	0031956			
B	10 JUL 07			
C	10 AUG 00			
D	17 NOV 00			
E	20 JAN 01			
F	20 FEB 02			
G	14 OCT 02			
H	207179			
I	207474			
J	18 FEB 03			
K	0006871			

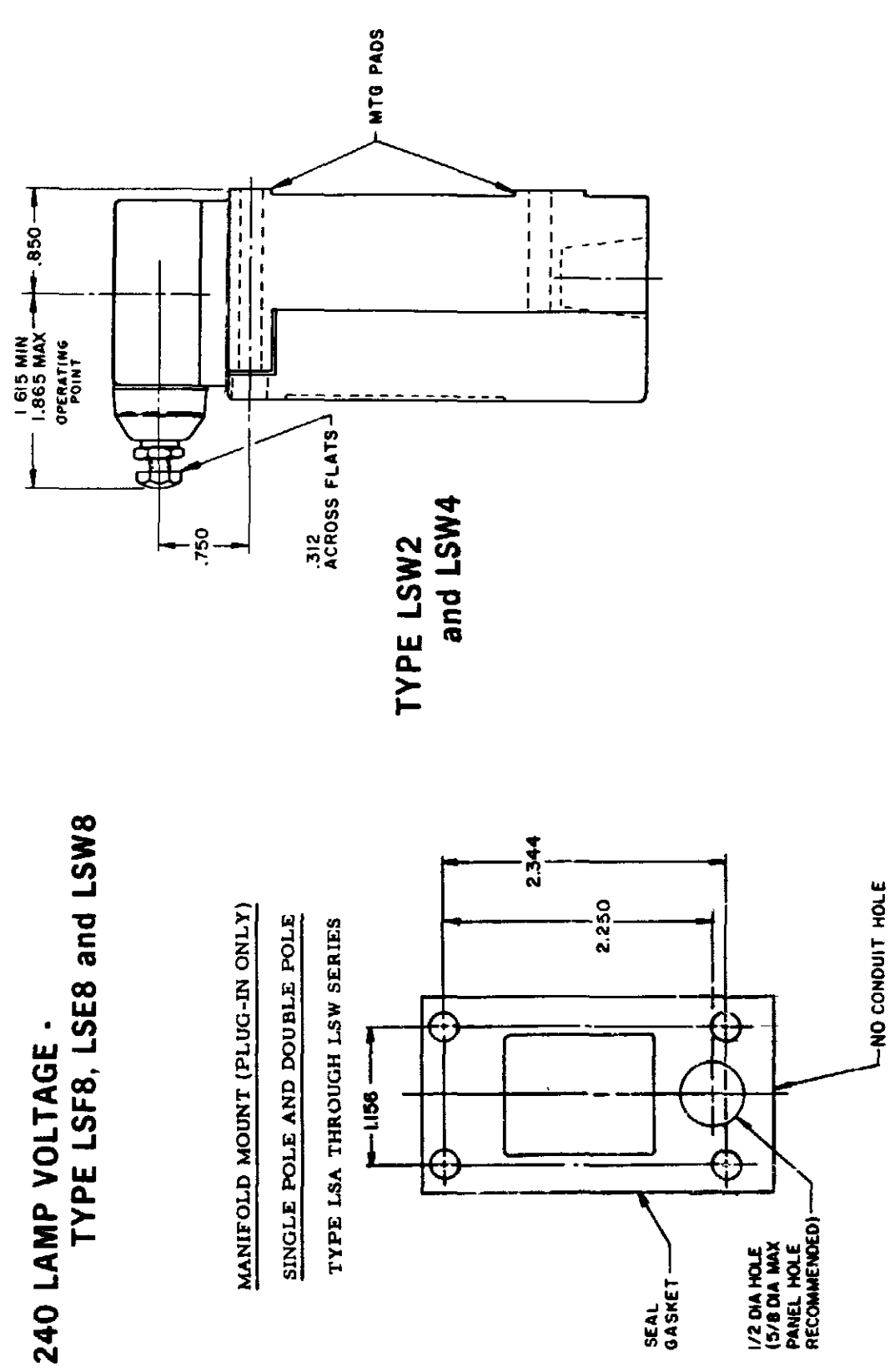
**SIDE PLUNGER TYPE**  
**DOUBLE POLE**



TYPE LSF1 and LSF3  
TYPE LSF2 and LSF4  
TYPE LSF6 and LSF7  
have 1/2 - 14 NPT CONDUIT HOLE)



TYPE LSE1 and LSE3  
TYPE LSE2 and LSE4  
TYPE LSW1 and LSW3  
120 LAMP VOLTAGE - TYPE LSF5, LSE5 and LSW5  
240 LAMP VOLTAGE - TYPE LSF8, LSE8 and LSW8



TYPE LSW2 and LSW4  
TYPE LSW5 and LSW7  
MANIFOLD MOUNT (PLUG-IN ONLY)  
SINGLE POLE AND DOUBLE POLE  
TYPE LSA THROUGH LSW SERIES

THIS DRAWING COVERS A PROPRIETARY ITEM AND IS THE PROPERTY OF MICRO SWITCH A DIVISION OF HONEYWELL THIS DRAWING IS NOT TO BE COPIED OR USED WITHOUT THE APPROVAL OF MICRO SWITCH

**MICRO SWITCH**  
a Honeywell Division

SWITCH - ENCLOSED

CATALOG LISTING  
**LSA-LSW SERIES**  
CHART 1

FED MFG CODE 91929